



BATCH WASHER
CONTINUOUS WASHING SYSTEM TBS-50

GIRBAU

CONTINUOUS WASHING SYSTEM



EFFICIENCY FOR LARGE-SCALE PRODUCTIONS

Automatic continuous washing is the linen washing and drying system that is most efficient for large-scale production requirements. It consists of a loading system, a batch washer, an extraction press and a drying system.

Girbau's TBS-50 washing system includes all the equipment required for continuous washing, with the advantages of synchronisation, programming and management that comes with working with equipment from a single supplier.



PARTNERS IN YOUR BUSINESS, FROM THE OUTSET

Girbau does not simply manufacture equipment. It designs laundries so that you can achieve your goals, acting as your partner from the very beginning and providing you with the advice that your business requires.

Defining the configuration of the equipment, the design of the laundry, its implementation, our after sales service and advice and training in work processes are examples of services that demonstrate our comprehensive model of customer service. Girbau's worldwide technical and commercial team, with its 14 subsidiaries and dealers in over 80 countries, ensures a close monitoring of your laundry. Your success is our success.

A BATCH WASHER FOR EVERY LAUNDRY

The versatility and adaptability of the batch washer is the key to achieving profitability and the expected results, depending on the requirements of each laundry.

The TBS-50 batch washer can be customised the bath diagram depending on the type of linen and soiling to be processed, as well as the consumption and the chemical process applied.





GIRBAU



CONSUMPTION

The TBS-50 batch washer features integrated recirculation and recycling of the water, allowing it to be used up to three times. In addition to reducing water consumption, it also reduces energy consumption.



BLOCKAGES

Transferring the load through a large central opening by rotating the drum prevents any risk of blockage. A blade lifts up the load before transferring it. A series of continuously self-checking sensors confirm that the conditions for successful transfer are fulfilled.



MECHANICAL ACTION

The mechanical action is achieved with a programmable inversion angle of 270° and a drum designed specifically for this purpose, thereby obtaining an optimum quality wash.



FLEXIBILITY

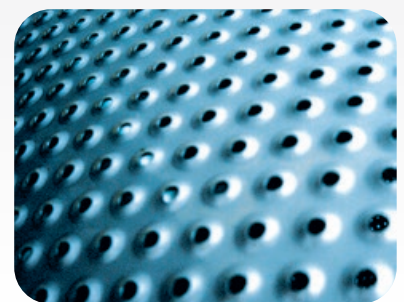
All the batch washer's modules are identical, and can include inputs for water and chemical products, drainage, pH and temperature probes. The total flexibility in the way the process can be configured allows you to ensure you have a batch washer that meets both present and future requirements.



IMPROVED LINEN TREATMENT

The drums for the batch washer are the result of over 50 years' experience manufacturing industrial washing machines. The exclusive manufacturing system, with a transfer blade that is completely smooth, and a drum with pressed perforations, leave the drum without any rough edges, thus reducing wear and tear compared with other batch washers on the market.

The transfer of the load via a central aperture prevents the linen from tangling, ensuring a gentle treatment even when applying an intensive washing process.

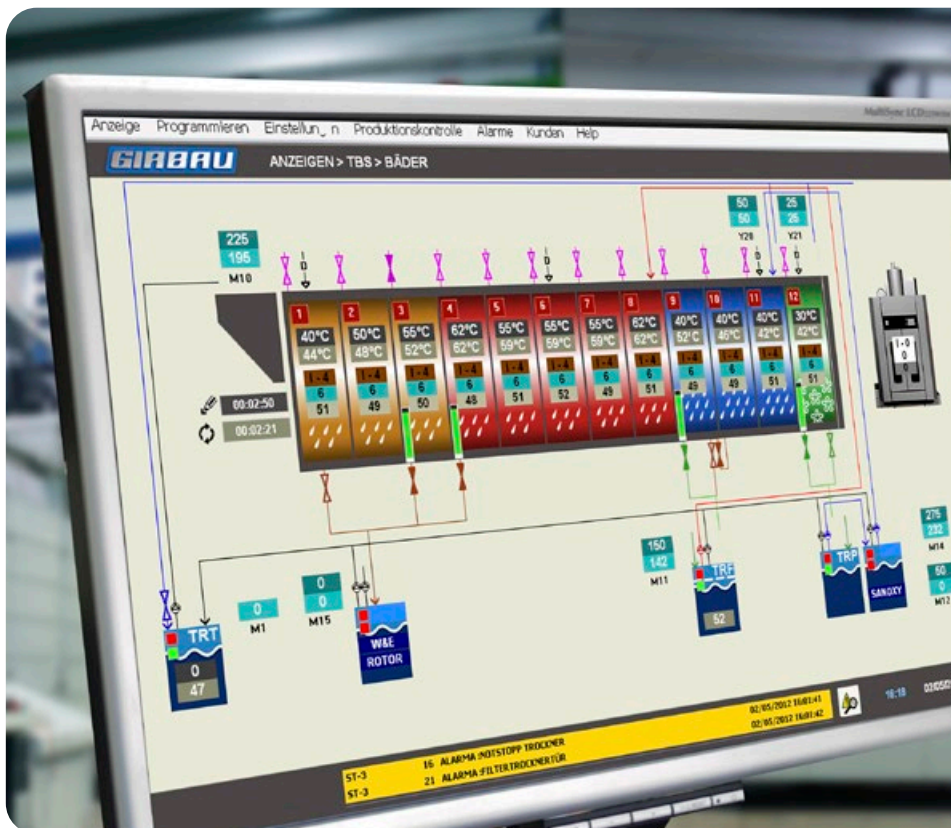


Proportional load: The dosage of chemicals and water is automatically adjusted depending on the load, which can range from 30 to 55 kg.

A USER-FRIENDLY AND INTUITIVE ENVIRONMENT

The information is displayed in an easy and intuitive way, making it easy to control, manage and program the batch washer. The colour graphics, illustrations and multiple language options help the user to understand and manage the software.

All data is exportable in spreadsheet format for later treatment as desired.



REAL TIME INFORMATION AND TRACKING

The BMT can control all the parameters associated with each load, such as the number of programs and customers, the weight of the load and the processing time. All the parameters involved can be controlled for each process.

In the case of washing, the system records the temperature, disinfection time, pH, conductivity, dosage.

In the case of pressing, the pressure, temperature or the pressing time, among others;

And in the case of drying, parameters such as the drying time and temperature are identified, as well as the load.

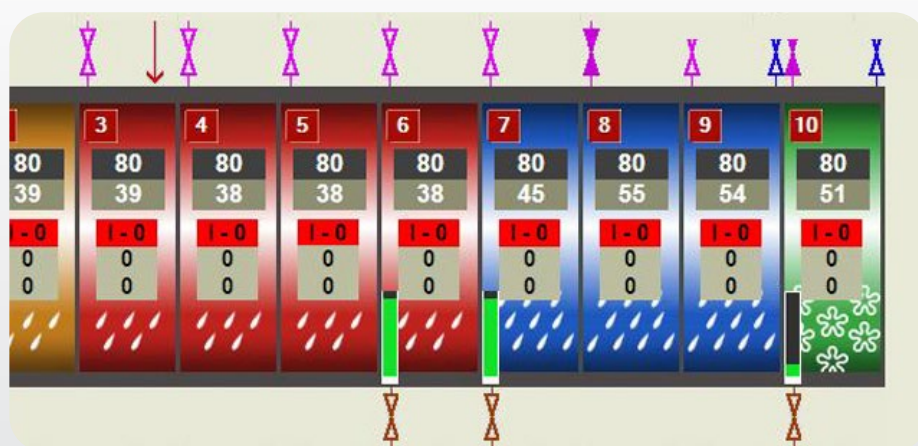
For total traceability, the system stores all these parameters so they can be retrieved and analysed whenever the user requires.



REMOTE SUPPORT

Girbau equips all its batch washers with Girbau Remote Support as standard.

This tool provides an immediate and close accompaniment to your business: on-line advice, remote maintenance and distance troubleshooting.



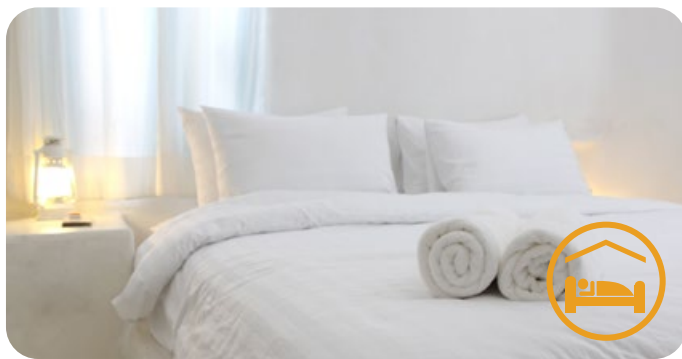
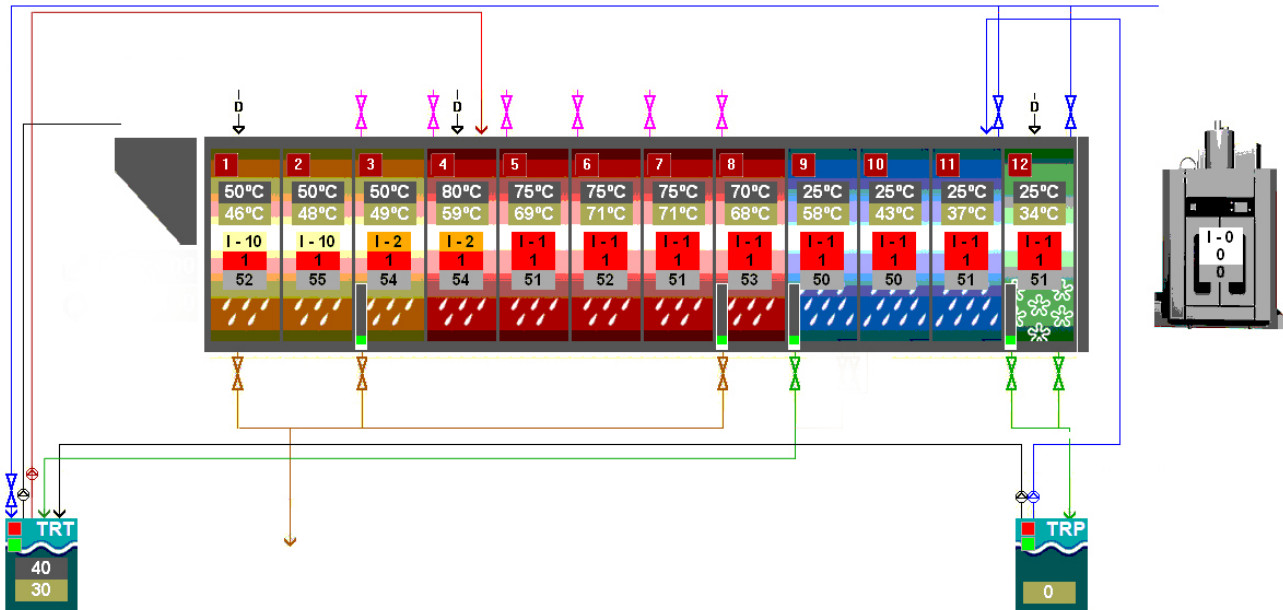
CONTROLLING ALARMS

The alarm control management allows the user to identify any incident that may have arisen, plus its origin, repetitiveness and duration.



multiTUNNEL

The batch washer that demonstrates that simplicity can mean effectiveness. It has all the necessary features, with excellent performance, high production and minimal maintenance.



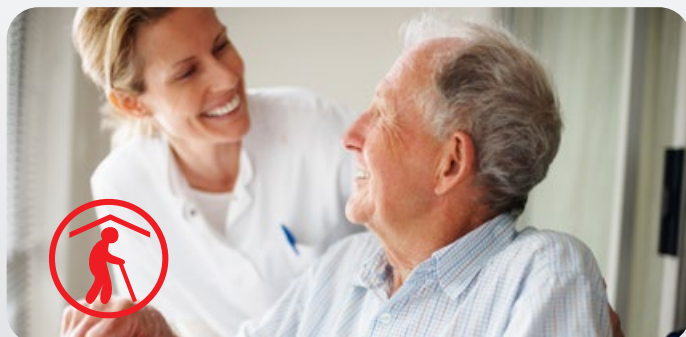
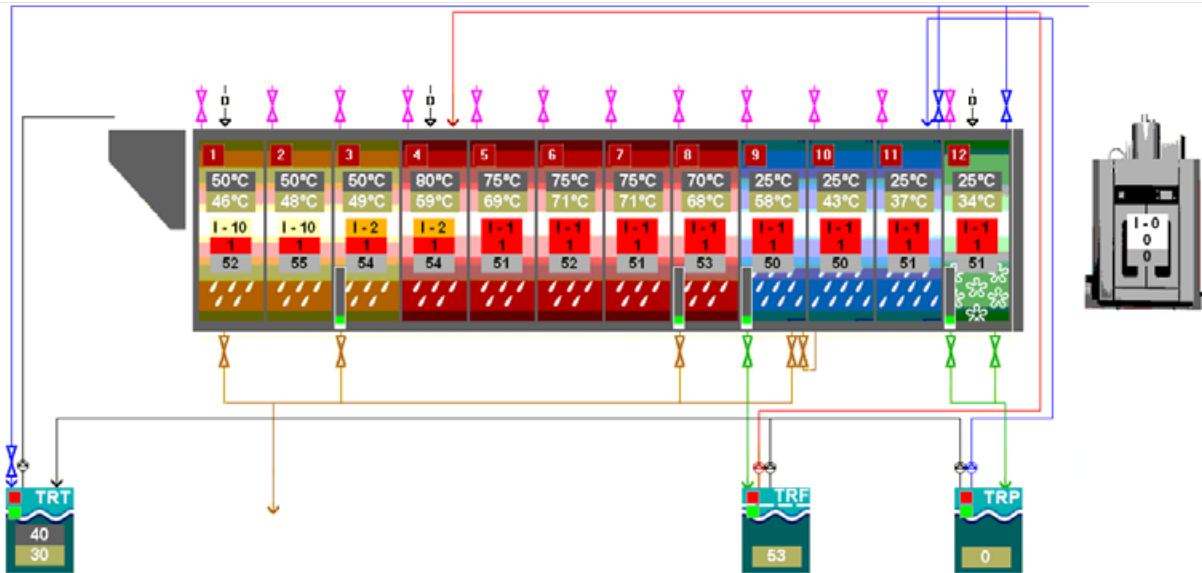
A PROFESSIONAL SOLUTION FOR A WIDE RANGE OF PURPOSES

- Independent pre-wash, washing, rinsing and neutralising phases.
- Two recovery tanks: the main tank and another in the extraction press area.
- An electronic flow control system for water inputs.
- Vapor en todos los módulos de lavado. Steam in all the washing modules.
- De-sanding and thermostop function.
- Suitable for general washing applications, industrial laundering, catering, residences, resorts, hotels.



hygienTUNNEL

The Hygien-Tunnel carries out intensive washing processes for laundry with a high level of soiling or those that require disinfection. It is especially suitable for the health sector.



MAXIMUM GUARANTEE OF HYGIENE

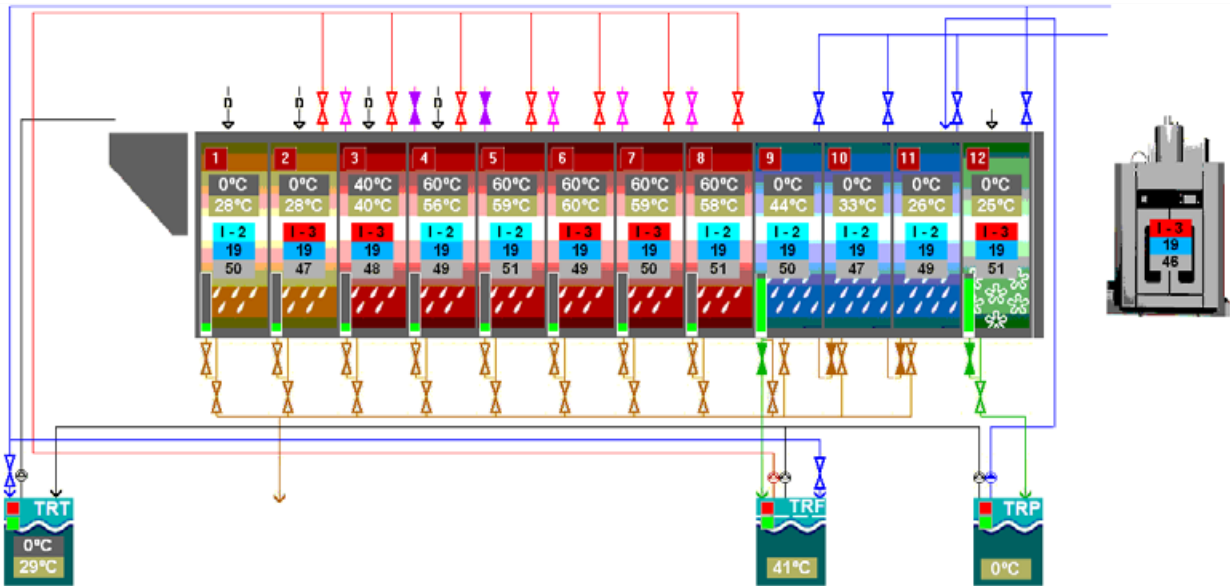
- Intensive washing applications.
- An intermediate tank, with a built-in filter that allows water to be recovered at a high temperature. The filter allows the water to be cleansed of fibres and coloured particles to prevent them from being transferred to subsequent loads.
- An electronic flow control system for water inputs..
- An option for keeping the soaking phase separate from the pre-wash.
- Incorporation of steam in all the modules.
- Thermal insulation in all the modules.
- VIGOROUS RINSE function.
- A batch washer disinfection program: With the batch washer load-free, and with water and the necessary chemical products inside, steam is injected into all the modules and the machine kept at a temperature of 80° C for the programmed time.
- This is indicated for applications with a high level of soiling and for washing in the health and hospital sector..

GIRBAU



flexiTUNNEL

The batch washer that allows absolute flexibility and versatility in the design of the bath diagram.



THE MOST VERSATILE OPTION IN BATCH WASHERS

- The batch washer allows each module to be configured independently. Each module operates completely autonomously from the rest.
- Halted baths: the flexibility is such that it can be configured in a variety of ways, ranging from a pre-wash on flow, a wash on or counter flow, a rinse counter flow, and even a wash through individual chambers with processes that are completely separate from each other. The option allows the user to work with loads with a high level of dirt or a significant amount of solid waste, or with laundries that work with loads of different colours.
- Offering easy operation and the simplicity of other batch washer models, but with the possibility of working with different baths, colours or chemical products, simultaneously inside the batch washer.
- Especially suitable for laundries focusing on laundering uniforms (mining, auto industries, hospitals...), table linen (restaurants, catering for weddings and banquets...), which have high levels of dirt and a range of different colours.

GIRBAU



A COMPLETE SOLUTION IN INDUSTRIAL LAUNDERING GIRBAU BATCH WASHING SYSTEM



BAG SYSTEM

Girbau offers made to measure solutions for bag loading systems. Our engineering sales team can create a project tailored to the needs of each client.

Bag loading systems allow the linen to be selected, stored and loaded into one or several batch washers existing in the laundry.

LOADING CONVEYOR

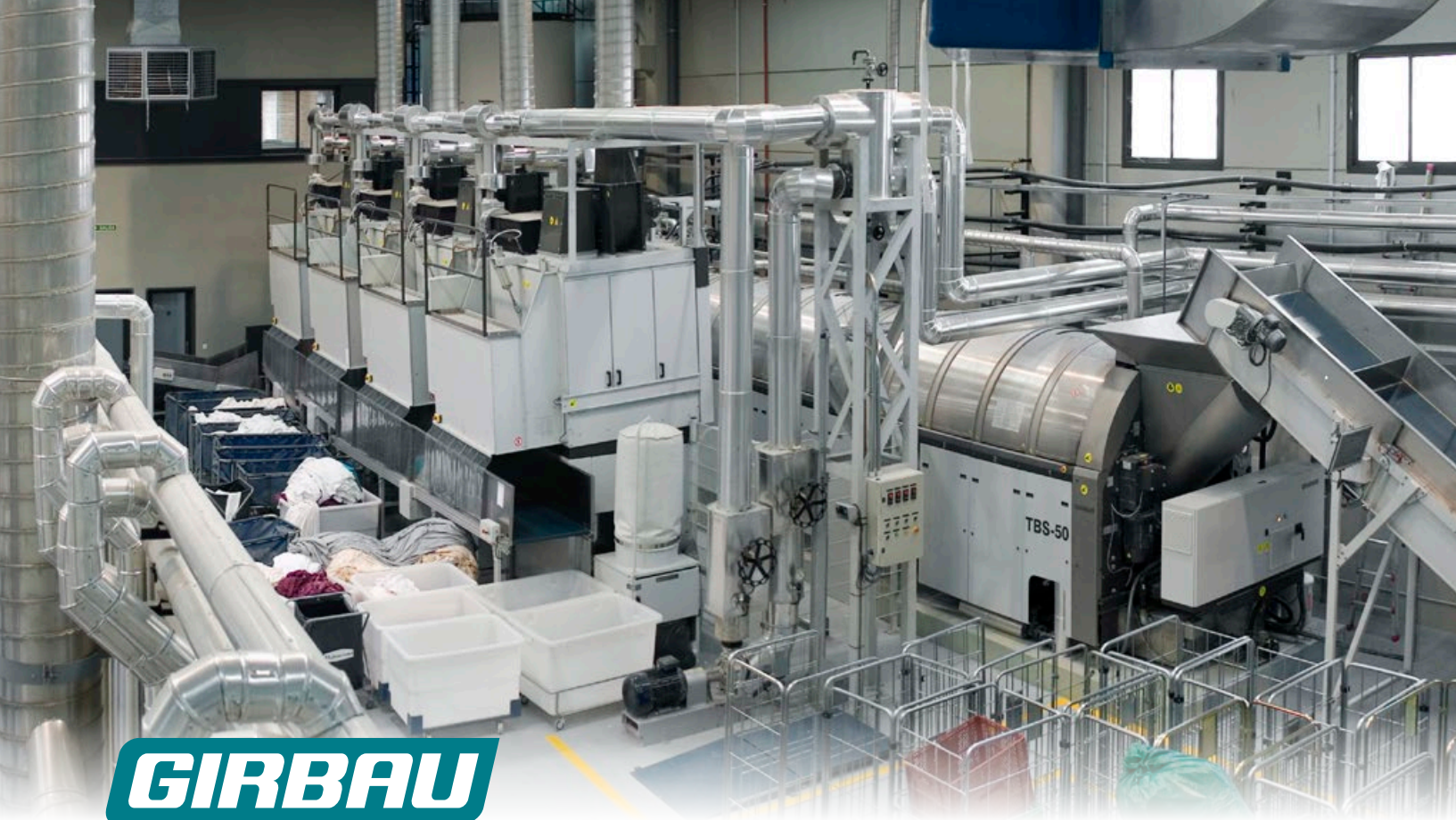
A sloping conveyor with 3 or 4 compartments of 50kg each allow the batch washer.

It incorporates automatic weighing and moves forward automatically at the batch washer's work pace.

BATCH WASHER

The TBS-50 batch washer's modular system means it can adapt to all kinds of facilities (hospitals, hotels, industrial laundries, ...). Its versatility and flexibility makes the TBS-50 batch washer an investment for the present and for future growth.

Available in Hygien, Multi and Flexi versions.



GIRBAU



EXTRACTION PRESS

The SPR-50 press extracts the water from the loads coming from the batch washer. In under two minutes, the pressure extracts the water from the load, thereby aiding the drying and ironing operations, and reducing the cost of these processes.



UNLOADING CONVEYOR

The CED+ movable elevating conveyor makes it possible to distribute the linen loads coming from the extractor press. Fitted with one or two loading tables, it automatically distributes the loads to the dryers depending on their availability.



DRYERS

The ST2700 and ST1302 dryers, with up to 135kg and 63kg capacities respectively, allow the loads from the press extractor to be untangled, conditioned or dried. The simplicity of its design and its sturdy construction ensure maximum durability with far less maintenance.



MORE CONTROL, LESS CONSUMPTION

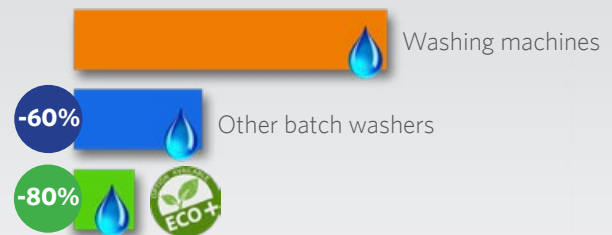


ECO + is a key option for clients who value energy efficiency and good cost management in the laundry, without having to give up the best washing quality.

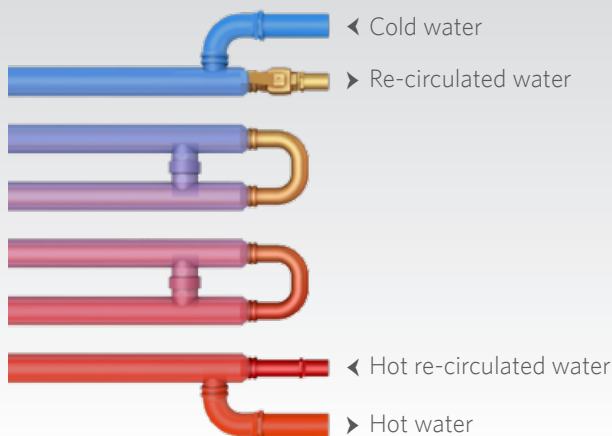
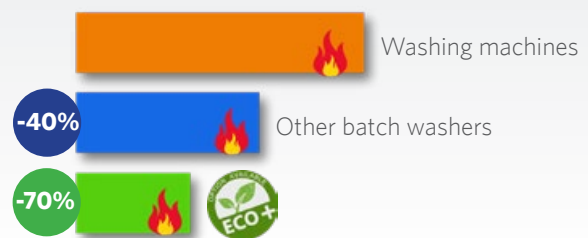
The **ECO +** option incorporates an electronic flow control system into the batch washer in all water inputs, both those from the mains supply and inputs of re-circulated water.

SAVINGS:
80% water consumption, 70% energy, 40% detergents,
100% labour.

WATER CONSUMPTION



ENERGY CONSUMPTION



WATER-WATER HEAT EXCHANGER

The **Drain Intercooler** (a water-water heat exchanger) uses the thermal energy from the drain water to preheat the water coming from the external mains supply. In this way, the water from the mains supply reaches the batch washer at a higher temperature, thereby saving on the energy cost of heating it.

The saving comes to over 30%.

TBS-50 Batch washer



MODEL		TBS-50/5	TBS-50/6	TBS-50/7	TBS-50/8	TBS-50/9	TBS-50/10	TBS-50/11	TBS-50/12	
Drum dimensions	Loading Capacity	Kg (lbs) 30 to 55 (66,1 to 121,2)								
	Transfer Ø	mm (in.) 850 (33,4)								
	Wash beaters no.	7								
	Outer drum Ø	mm (in.) 1.950 (76,7)								
	Inner drum Ø	mm (in.) 1.850 (72,8)								
	Drum width	mm (in.) 780 (30,7)								
	Drum volume	dm ³ (cu.ft) 2.100 (74,2)								
Features	Wash speed	rpm 2-8								
	Wash angle	270°								
	Transfer angle	450°								
Machine dimensions	Length L	mm (in.) 5.910 (232,6)	6.695 (263,6)	7.480 (294,5)	8.265 (325,4)	9.050 (356,3)	9.830 (387)	10.615 (418)	11.400 (448,8)	
	Width A	mm (in.) 2.160 (85)								
	Height H	mm (in.) 3.016 (118,7)								
	Height H2	mm (in.) 2.650 (104,3)								
Weights	Net weight	Kg (lbs) 5.750 (12.677)	6.300 (13.889)	6.850 (15.101)	7.400 (16.314)	7.950 (17.526)	8.500 (18.739)	9.050 (19.951)	9.600 (21.164)	
	Max. Working weight	Kg (lbs) 9.000 (19.842)	10.200 (22.487)	11.400 (25.132)	12.600 (27.778)	13.800 (30.423)	15.000 (33.069)	16.200 (35.714)	17.400 (38.360)	

Girbau S.A. reserves the right to change design and/or specifications without notice



E&B

EASY & BEST SOLUTIONS

EASY AND SUSTAINABLE SOLUTIONS

We propose a new way of working, aimed at achieving the best solution in the easiest way possible.

Just let us know your production requirements. We will take care of the rest.

Easy and best



Video

